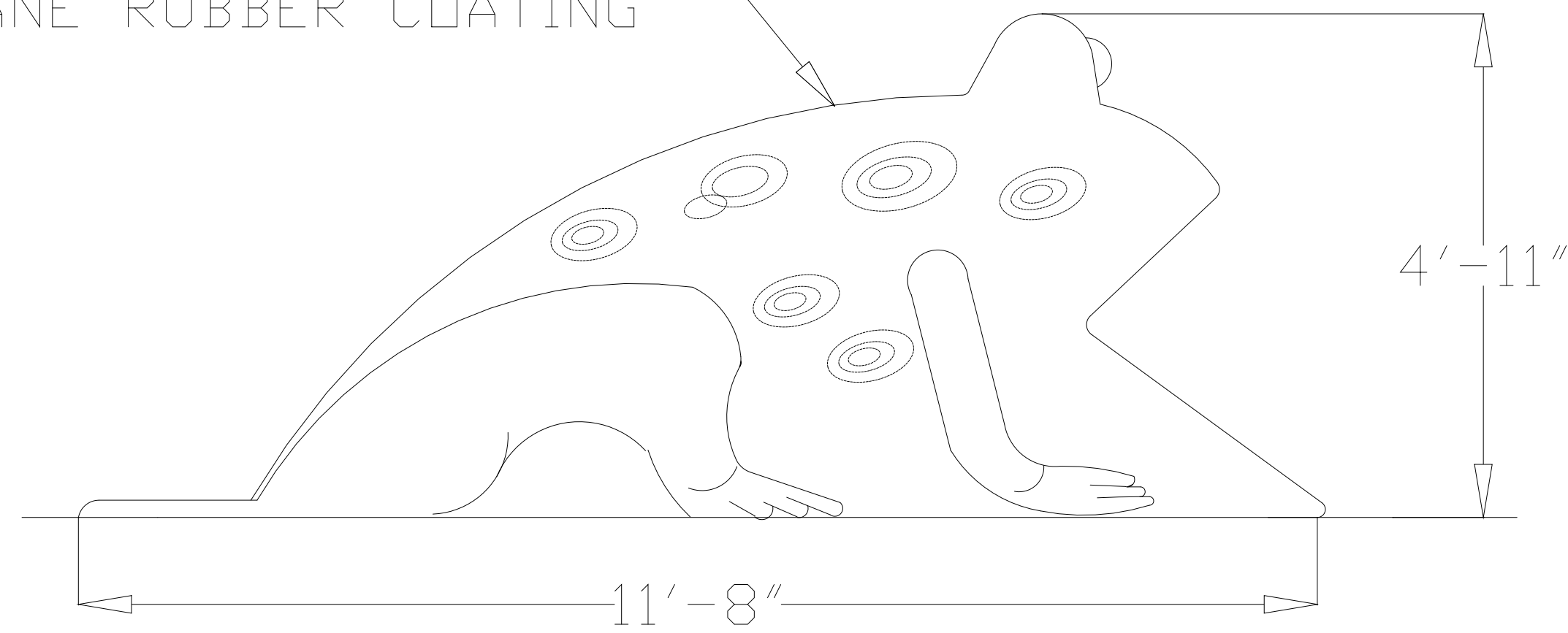


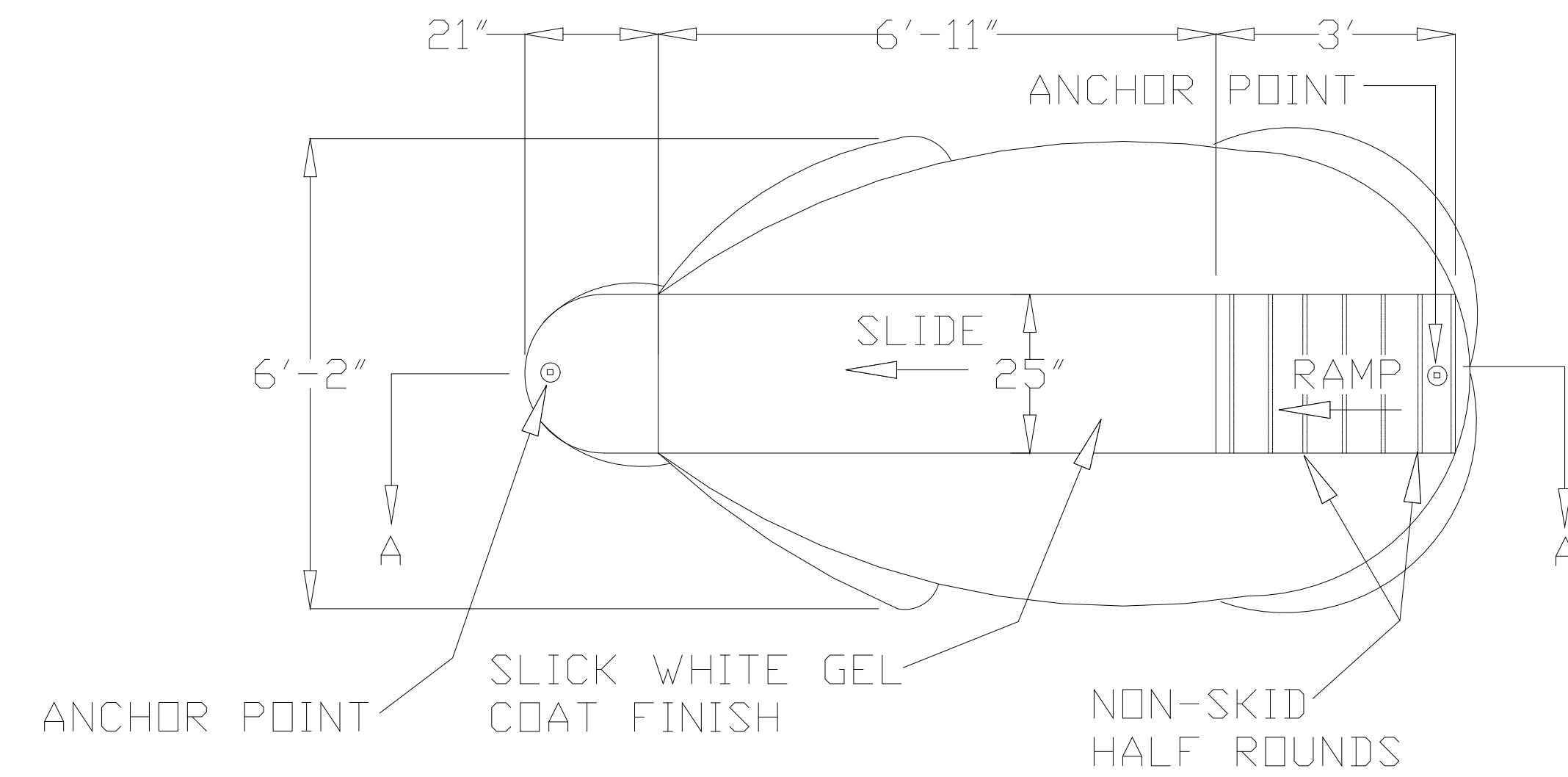
# FROG SLIDE

OUTTER SHELL COATED  
WITH A NON SKID  
U.V. STABILIZED  
URETHANE RUBBER COATING



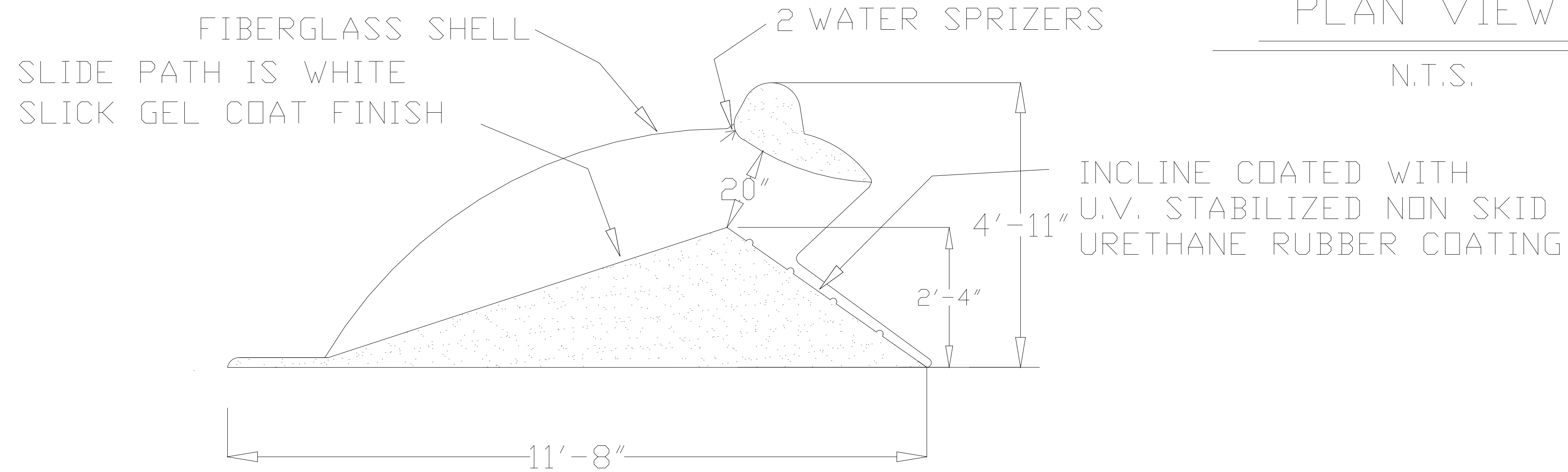
ELEVATION

N.T.S.



PLAN VIEW

N.T.S.



SECTION THRU FROG SLIDE

RECOMMENDED FLOW RATE 5 GPM PER FROG SLIDE  
NOTE:

SELECT COLORS FROM COLOR CHART  
SPECIAL COLORS AND THEMES CAN BE DONE UPON REQUEST

FROG SLIDE		
MODEL # FROG SLIDE	DRAWING DATE 9-11-2006	REVISED 5-12-2008
CAROLINA WATER FEATURES		

" IF YOU CAN DREAM IT – WE CAN BUILD IT"